

### Overview



INPUD-A/B (Inductive Power and Data Transmission for Analog and Digital Sensors) is a modular system for contactless transmission of electrical energy for supplying 2 analog and 4 binary sensors (inductive, capacitive, optical) on rotating shafts, axles or pallets.

The respective measured values and switching states of the sensors are transmitted over the air gap back to the stationary part. Transmission is carried out as a serial data stream; automatic error detection i.e. error correction is integrated in the system. INPUD-A/B operates independently of rotational speed, transmission is carried out reliably even under the harshest ambient conditions (dust, water, oil, etc.).

Since it has no mechanically contacting parts, INPUD-A/B requires no servicing and no regular maintenance. The integrated LEDs indicate the status of the data communication and power control.

INPUD products are available in different performance categories and form factors. Please contact MESA for more information.

### Features

- 2 analog (0..10 V) and 2+2 binary (0/24 V) standard sensors can be connected
- flexible wiring, assembled connection cable available
- 12 bit signal resolution
- different form factors /performance categories available
- high data integrity, digital transmission method
- not affected by electromagnetic radiation

### Your benefits

- simple and fast installation
- no maintenance required, suitable for 24/7 continuous operation
- housing protection IP67
- rotational speeds up to 2500 1/min
- status/power-on indication via LED
- suitable for harsh industrial environments (e.g. dirt, dust, moisture, etc.)
- compact design

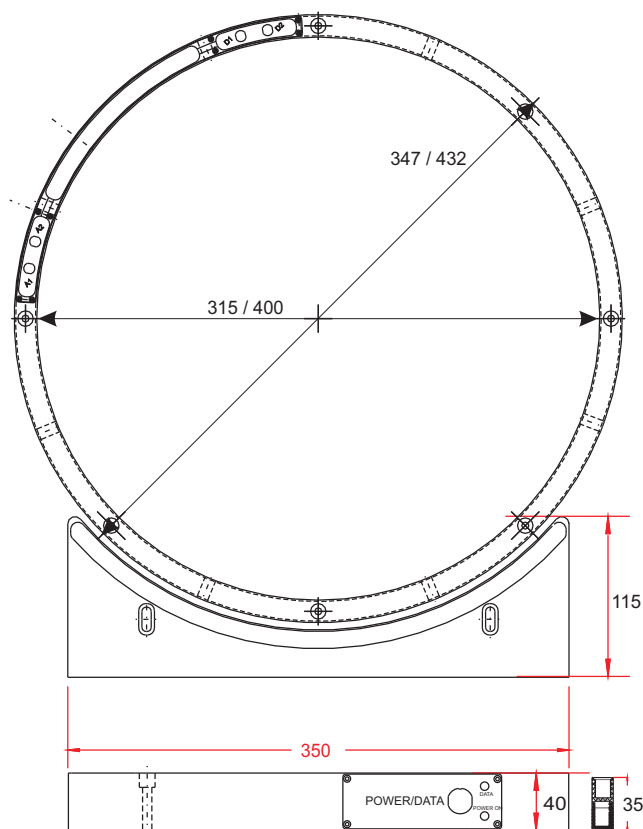
### Applications

- Print rollers, rotary indexing tables
- Final positions-/threshold detection on rotating devices
- Test benches

### Technical data

<b>Stator</b>	Power supply	24VDC±10%/1A max.
	Interface	2 analog channels 0..10 V 2 binary channels (threshold) 2 binary channels 0/24 V (pnp)
	Response time	2ms
	Connector plug	Binder 423 straight, 12-pin included in delivery
	Accuracy	12 bit D/A converter
<b>Rotor</b>	Inputs	2 analog channels 0..10 V 2 binary channels (threshold) 2 binary channels 0/24 V (pnp)
	Sensor supply	24VDC/120mA
	Connection for sensors	Binder 718, 4-pin (analog) Binder 718, 3-pin (binary)
	Sampling rate	250 Hz
	Accuracy	12 bit D/A converter
<b>Mechanics</b>	Housing	PETP/Aluminium
	Protection class	Housing IP67
	Air gap	1 mm (± 0,5 mm)
	lateral offset	< ±0,5mm
	Temperature range	0..70 °C
	Dimensions	as in sketch, 3D-data available on request

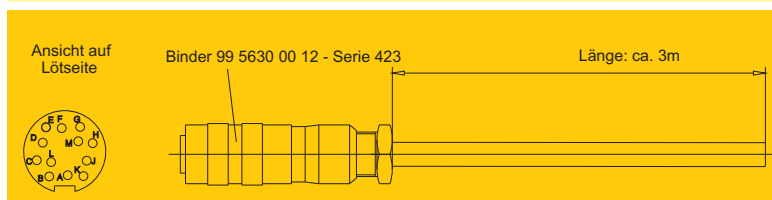
### Dimensions



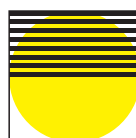
Dimensions INPUD-A/B 315, protection class IP67

### Accessories

Art.-No.: 09100350  
Connection cable for INPUD A/B 100/315mm  
for connecting to stator  
Length: 3 m, PUR outer sheath, shielded



### Your contact



**MESA**

MESA Systemtechnik GmbH  
Turmstraße 8  
78467 Konstanz | Germany  
Telefon: +(49)07531/9371-0  
Telefax: +(49)07531/9371-71  
Email: [info@mesa-systemtechnik.de](mailto:info@mesa-systemtechnik.de)  
[http:// www.mesa-systemtechnik.de](http://www.mesa-systemtechnik.de)

