

### Overview



INPUD-T 74 (Inductive Power and Data Transmission) is a compact system for contactless transmission of Pt1000 transducers. INPUD-T 74 is able to transmit up to two temperature channels simultaneously.

The electronics for receiving data from up to two Pt1000 sensors is already integrated in the rotating module. There, the signals are amplified and converted serially into a digital data stream. Digital transmission ensures a very high degree of data reliability, even under harsh ambient conditions with the presence of e.g. oil, dust, or moisture. In the stationary module the incoming data stream is decoded and converted into an output signal that is proportional to the measured temperature. Due to the near field communication and its dedicated structure, the INPUD-T 74 is immune against external disturbances.

The integrated LEDs indicate the status of the data communication and power control. This status information can also be fed directly to the control system via the connecting cable; it guarantees correct and reliable operation at all times.

INPUD products are available in different performance categories and form factors. Please contact MESA Systemtechnik for more information.

### Features

- integrated signal converter  
0..10 V / 4..20 mA
- no maintenance required, suitable for  
24/7 continuous operation
- housing protection class IP54 or IP67
- different form factors/performance  
categories
- integrated CRC check, proprietary  
digital transmission method
- not affected by electromagnetic radiation

### Your benefits

- transmits up to two Pt1000 signals
- integrated linearization thus high  
accuracy
- for harsh ambient conditions
- rotational speeds up to 5000 1/min
- compact design
- LED status display as well as status  
information via the connection cable
- easy and simple installation

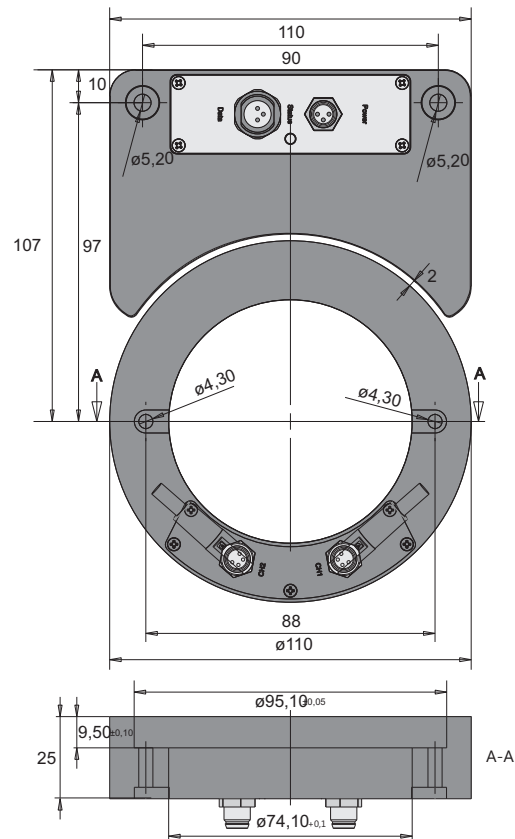
### Applications

- Portal-grinding machines
- Process engineering, planetary mixers
- Centrifuges, decanters
- Calenders (foil production, fleece, etc.)

### Technical data

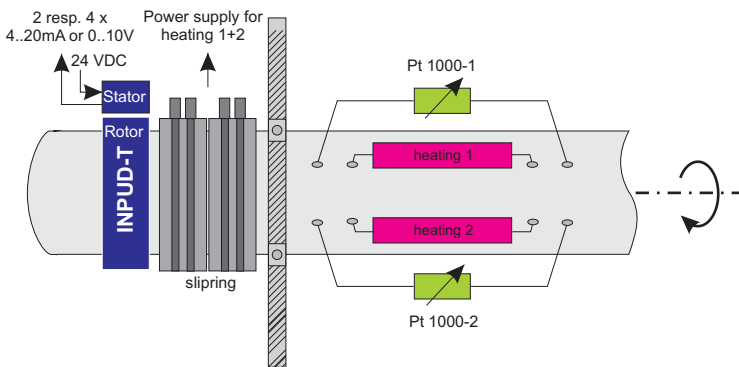
<b>Stator</b>	Power supply	24 VDC $\pm$ 10 %/0,7 A max.
	Channels	2 channels
	Interface	0..10 V 4..20 mA, living zero
	Resolution	<0,3 K
	Error	< $\pm$ 0,5 % f.s.r.
<b>Rotor</b>	Connections/sensors	2x Pt1000, 2(4)-wire M8 male connector, 4-pin
	Measuring range (optional)	0...300 °C (-200...850 °C)
	Sampling rate	25 Hz
	RPM	up to 5.000 1/min
	<b>Mechanic</b>	Material
Protection class		Housing IP67
Stator connections		M8 male, 3-pin (power) M8 female, 6-pin (signal)
Air gap		2 mm ( $\pm$ 1 mm)
Temperature range		0...60 °C
Dimensions		see Dimensions, 3D data available on request

### Dimensions



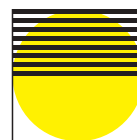
Dimension INPUD-T 74, Housing protection IP 67

### Installation example *Horizontal Flow Wrapping Machine*



- reduce slip ring tracks from 8 to 4 (for heating1+2 only)
- mount INPUD-T 74 with adapter ring on the shaft
- install connection cable for heater under the INPUD-T 74 rotor and on through to the slip ring
- connect Pt1000 sensors to INPUD-T 74 rotor
- connect 2x I/U output signals with heating controller
- connect 24 VDC supply voltage – switch on

### Your contact



**MESA**

MESA Systemtechnik GmbH  
 Turmstraße 8  
 78467 Konstanz | Germany  
 Telefon: +(49)07531/9371-0  
 Telefax: +(49)07531/9371-71  
 Email: [info@mesa-systemtechnik.de](mailto:info@mesa-systemtechnik.de)  
 http:// [www.mesa-systemtechnik.de](http://www.mesa-systemtechnik.de)

